

## INSTALLATION INSTRUCTIONS:

### Ultimate Power Steering Heavy Duty Mount Kit, 66-77 Bronco



865.938.6696 www.jamesduff.com  
3231 NW Park Dr.  
Knoxville, TN 37921

## PART #3230

### CONTENTS:

1	Reinforcement Plate	1	12mm x 100 mm Bolt
1	Reinforcement Sleeve	1	7/16" Flat Washer

1/1 11/06

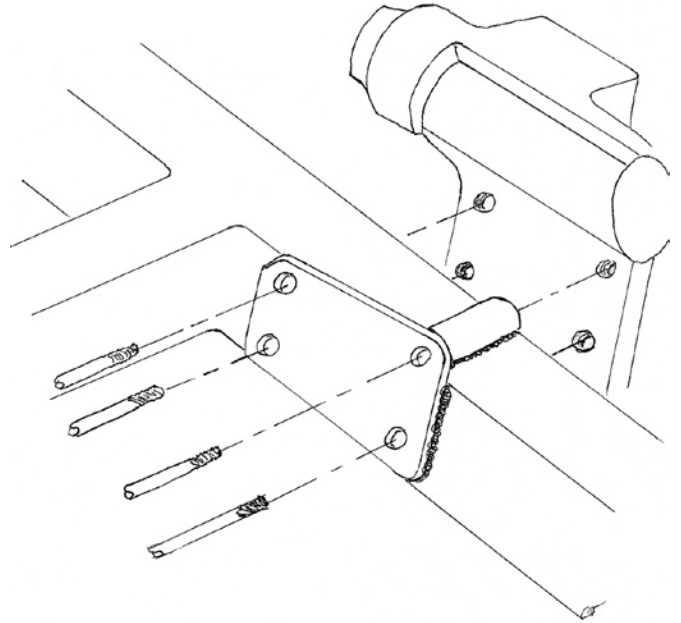
**Note: Installation requires cutting and welding on the frame. We highly recommend having this done by a qualified professional.**

1. Using an installed Ultimate Power Steering box as a guide, scribe a line at 90° across the frame from the center of the fourth mounting hole in the steering box.

2. Remove the mounting bolts from the steering box. Use the scribed line as a center and remove an 11/16" wide strip across the top of the frame. Grind notches at ends to accommodate the supplied reinforcement sleeve.

3. Reinstall steering box with frame plate and reinforcement sleeve. Hand tighten all four mounting bolts. Tack weld reinforcement sleeve and plate to frame.

4. Remove steering box from frame, weld reinforcements completely. Reinstall steering box. Torque bolts to 60-80 ft lbs.



#### LIMITED WARRANTY

James Duff, Inc. warrants our products to the original purchaser to be free from defects in materials and workmanship. Warranty periods begin at the date of purchase and varies by product. Shocks have a limited lifetime warranty. Headers, Radiators and Suspension Products have a one year warranty. Power Brake Boosters and Master Cylinders have a three year warranty. Adapters and soft goods such as Canvas tops, upholstery, vinyl and rubber products have a 90 day warranty. All warranties are to the original purchaser with proof of purchase only. Such obligations under this warranty shall be limited to the repair or replacement, at JDI's discretion, of any assembly or part which upon examination by JDI proves to be defective. Any costs of removal, installation, reinstallation or freight charges are expressly excluded from this warranty. This warranty covers only manufacturers defects, and does not cover product finish or damage resulting from abuse, misuse, negligence, racing, alteration, accident or damage in transit.

All returns must be pre-authorized by JDI and accompanied with a Return Goods Authorization Number (RGA) and a dated proof of purchase. Returns must be made within 90 days of purchase, shipped prepaid, packaged in original cartons to prevent damage in shipment and sent to JDI, 3231 NW Park Dr.

Knoxville, TN 37921 Returns without an RGA# will be refused.

This warranty is expressly in lieu of all other warranties, expressed or implied, including the implied warranties of merchantability and fitness for use. This warranty gives you specific legal rights including other rights that vary from state to state. Some states do not allow limitations on how long an implied warranty lasts, or do not allow the exclusion of limitation of incidental or consequential damages, so the above limitations and/or exclusions may not apply to you.

## INSTALLATION INSTRUCTIONS:

### Ultimate Power Steering Heavy Duty Mount Kit, 66-77 Bronco



865.938.6696 www.jamesduff.com  
3231 NW Park Dr.  
Knoxville, TN 37921

## PART #3230

### CONTENTS:

1	Reinforcement Plate	1	12mm x 100 mm Bolt
1	Reinforcement Sleeve	1	7/16" Flat Washer

1/1 11/06

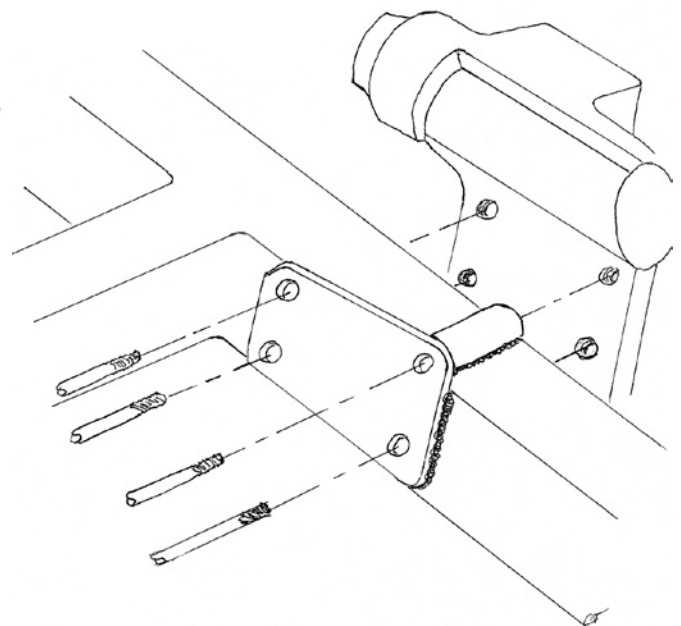
**Note: Installation requires cutting and welding on the frame. We highly recommend having this done by a qualified professional.**

1. Using an installed Ultimate Power Steering box as a guide, scribe a line at 90° across the frame from the center of the fourth mounting hole in the steering box.

2. Remove the mounting bolts from the steering box. Use the scribed line as a center and remove an 11/16" wide strip across the top of the frame. Grind notches at ends to accommodate the supplied reinforcement sleeve.

3. Reinstall steering box with frame plate and reinforcement sleeve. Hand tighten all four mounting bolts. Tack weld reinforcement sleeve and plate to frame.

4. Remove steering box from frame, weld reinforcements completely. Reinstall steering box. Torque bolts to 60-80 ft lbs.



#### LIMITED WARRANTY

James Duff, Inc. warrants our products to the original purchaser to be free from defects in materials and workmanship. Warranty periods begin at the date of purchase and varies by product. Shocks have a limited lifetime warranty. Headers, Radiators and Suspension Products have a one year warranty. Power Brake Boosters and Master Cylinders have a three year warranty. Adapters and soft goods such as Canvas tops, upholstery, vinyl and rubber products have a 90 day warranty. All warranties are to the original purchaser with proof of purchase only. Such obligations under this warranty shall be limited to the repair or replacement, at JDI's discretion, of any assembly or part which upon examination by JDI proves to be defective. Any costs of removal, installation, reinstallation or freight charges are expressly excluded from this warranty. This warranty covers only manufacturers defects, and does not cover product finish or damage resulting from abuse, misuse, negligence, racing, alteration, accident or damage in transit.

All returns must be pre-authorized by JDI and accompanied with a Return Goods Authorization Number (RGA) and a dated proof of purchase. Returns must be made within 90 days of purchase, shipped prepaid, packaged in original cartons to prevent damage in shipment and sent to JDI, 3231 NW Park Dr.

Knoxville, TN 37921 Returns without an RGA# will be refused.

This warranty is expressly in lieu of all other warranties, expressed or implied, including the implied warranties of merchantability and fitness for use. This warranty gives you specific legal rights including other rights that vary from state to state. Some states do not allow limitations on how long an implied warranty lasts, or do not allow the exclusion of limitation of incidental or consequential damages, so the above limitations and/or exclusions may not apply to you.