

# INSTALLATION INSTRUCTIONS: 76-77 Bronco Tracking Bar Drop Bracket



865.938.6696 www.jamesduff.com  
3231 NW Park Dr.  
Knoxville, TN 37921

## PART #5401

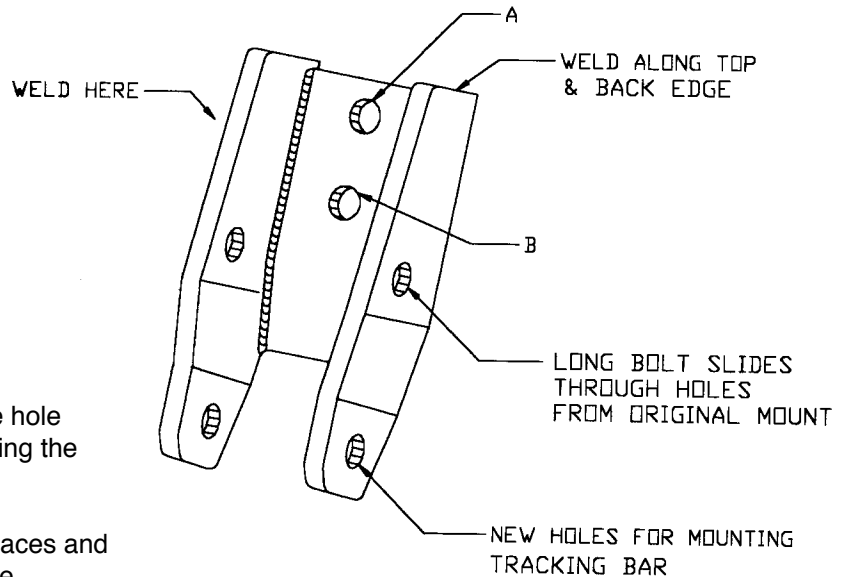
### CONTENTS:

- 1- Blue powder-coated drop bracket
- 1-9/16" x 3 1/2" Black NF Bolt (long)
- 1-9/16" Nyloc NF Nut
- 2-1/2" x 1 1/2" NC Bolt (short)
- 2-1/2" Nyloc NC Nut

1/1 12/06

### INSTRUCTIONS:

1. Unbolt the tracking arm and push it down and out of the way.
2. Slide the new bracket over the factory mount. The new bracket should be flush mounted on all surfaces.
3. Bolt the bracket into place through the original tracking bar mounting holes using the long bolt and nut.
4. Bolt through hole B using a short bolt and nut.
5. Drill a hole in the original mounting bracket where hole A is in the new bracket. Bolt through the bracket using the remaining short bolt.
6. Weld the bracket in place along the top three surfaces and at the back, where the bracket is closest to the frame.
7. Re-attach the tracking bar to the new lower mounting holes using your stock bolt.



**NOTE:** When your Bronco is lifted, any alignment problems are exaggerated. If your track bar bushings are worn, you should replace them with our #6108 or 6109 Urethane bushings. When the front end is lifted, your alignment goes negative and you will need our replacement Urethane "C" bushings part #6004 or 6006. They can correct your caster for the new height.

### LIMITED WARRANTY

James Duff Inc. warrants our products to the original purchaser to be free from defects in materials and workmanship. Warranty periods begin at the date of purchase and varies by product. Shocks have a limited lifetime warranty. Headers, Radiators and Suspension Products have a one year warranty. Power Brake Boosters and Master Cylinders have a three year warranty. Adapters and soft goods such as Canvas tops, upholstery, vinyl and rubber products have a 90 day warranty. All warranties are to the original purchaser with proof of purchase only. Such obligations under this warranty shall be limited to the repair or replacement, at JDI's discretion, of any assembly or part which upon examination by JDI proves to be defective. Any costs of removal, installation, reinstallation or freight charges are expressly excluded from this warranty. This warranty covers only manufacturers defects, and does not cover product finish or damage resulting from abuse, misuse, negligence, racing, alteration, accident or damage in transit.

All returns must be pre-authorized by JDEI and accompanied with a Return Goods Authorization Number (RGA) and a dated proof of purchase. Returns must be made within 90 days of purchase, shipped prepaid, packaged in original cartons to prevent damage in shipment and sent to JDI, 3231 NW Park Dr., Knoxville, TN 37921 Returns without an RGA# will be refused.

This warranty is expressly in lieu of all other warranties, expressed or implied, including the implied warranties of merchantability and fitness for use. This warranty gives you specific legal rights including other rights that vary from state to state. Some states do not allow limitations on how long an implied warranty lasts, or do not allow the exclusion of limitation of incidental or consequential damages, so the above limitations and/or exclusions may not apply to you.

### SUSPENSION PRODUCT INFORMATION

Modifying your vehicle with JDI products to improve off road performance may result in the vehicle handling differently than a factory equipped vehicle. Taller tires will cause the vehicle's speedometer to read slow, so recalibration is required. Use of oversize tires, suspension lifts, body lifts, and other modifications may raise your vehicle's center of gravity, resulting in an increased tendency for the vehicle to pitch and roll during sudden turns or abrupt maneuvering. Failure to drive with extreme care to prevent loss of control or vehicle roll over may result in injury or death. Drive at a reduced speed to ensure your ability to maintain control of the vehicle under all driving conditions. We recommend installing functional roll bars and cages as well as double shocking all vehicles for more safety and stability on or off road. Always wear seat belts when in a vehicle. Consult your owners manual for recommended tire sizes, safety instruction and warnings unique to your vehicle. It is your responsibility to check state and local laws restricting vehicle height to ensure that modifications to your vehicle are legal.