

INSTALLATION INSTRUCTIONS: Polyurethane Strut Bushings

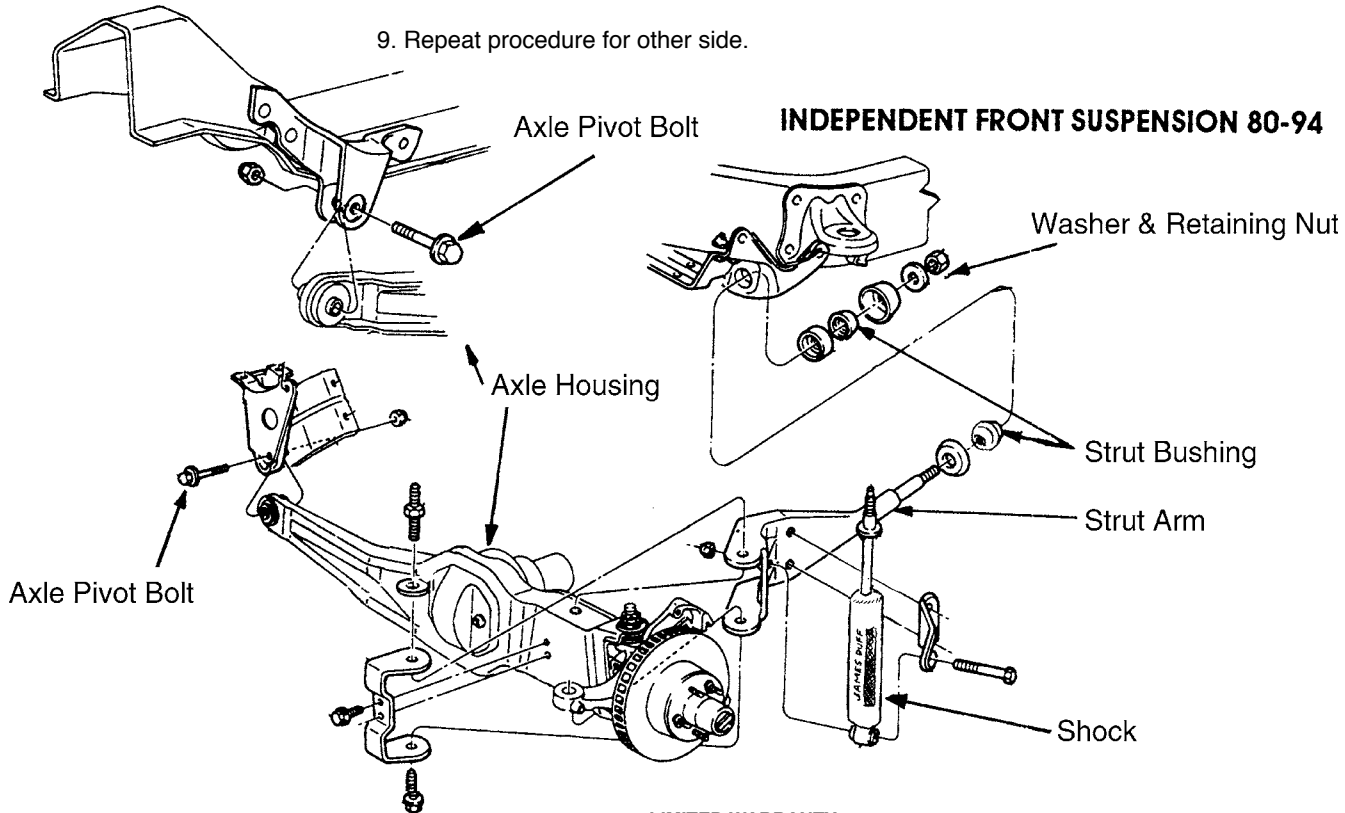
PART #'s 6102, 6103



865.938.6696 www.jamesduff.com
3231 NW Park Dr.
Knoxville, TN 37921

1. Install one side at a time. Jack the vehicle up & support it with frame jacks. Remove the front wheels.
2. Unbolt the bottom end of the shock and compress the shock upward.
3. Remove the large nut & washer at the rear of the radius arm. Then loosen the axle pivot bolt. 1/1 8/99
4. Pull the axle housing forward until the strut arm clears the strut arm bracket.
5. Remove the old bushings & sand or wire brush away any rust on the strut arm to ease installation of the new bushings.
6. Install a new bushing on the front side of the bracket with the tapered end pointed forward & pull the housing & strut arm back into the bracket. Install a new bushing onto the rear of the strut arm. Normally, only a few threads will show through the bushing. Therefore, install the nut without the washer and tighten it against the bushing until sufficient threads show to allow installation of the washer. Remove the nut & install washer.
7. With the washer installed, tighten the nut to 80-120 ft. lbs. Do not overtighten! Bushings should compress no more than 1/4".
8. Tighten the axle pivot bolt to 120-150 ft. lbs. and reinstall the shock.

9. Repeat procedure for other side.



LIMITED WARRANTY

James Duff Inc. warrants our products to the original purchaser to be free from defects in materials and workmanship. Warranty periods begin at the date of purchase and varies by product. Shocks have a limited lifetime warranty. Headers, Radiators and Suspension Products have a one year warranty. Power Brake Boosters and Master Cylinders have a three year warranty. Adapters and soft goods such as Canvas tops, upholstery, vinyl and rubber products have a 90 day warranty. All warranties are to the original purchaser with proof of purchase only. Such obligations under this warranty shall be limited to the repair or replacement, at JDI's discretion, of any assembly or part which upon examination by JDI proves to be defective. Any costs of removal, installation, reinstallation or freight charges are expressly excluded from this warranty. This warranty covers only manufacturers defects, and does not cover product finish or damage resulting from abuse, misuse, negligence, racing, alteration, accident or damage in transit.

All returns must be pre-authorized by JDEI and accompanied with a Return Goods Authorization Number (RGA) and a dated proof of purchase. Returns must be made within 90 days of purchase, shipped prepaid, packaged in original cartons to prevent damage in shipment and sent to JDI, 3231 NW Park Dr., Knoxville, TN 37921 Returns without an RGA# will be refused.

This warranty is expressly in lieu of all other warranties, expressed or implied, including the implied warranties of merchantability and fitness for use. This warranty gives you specific legal rights including other rights that vary from state to state. Some states do not allow limitations on how long an implied warranty lasts, or do not allow the exclusion of limitation of incidental or consequential damages, so the above limitations and/or exclusions may not apply to you.

SUSPENSION PRODUCT INFORMATION

Modifying your vehicle with JDI products to improve off road performance may result in the vehicle handling differently than a factory equipped vehicle. Taller tires will cause the vehicle's speedometer to read slow, so recalibration is required. Use of oversize tires, suspension lifts, body lifts, and other modifications may raise your vehicle's center of gravity, resulting in an increased tendency for the vehicle to pitch and roll during sudden turns or abrupt maneuvering. Failure to drive with extreme care to prevent loss of control or vehicle roll over may result in injury or death. Drive at a reduced speed to ensure your ability to maintain control of the vehicle under all driving conditions. We recommend installing functional roll bars and cages as well as double shocking all vehicles for more safety and stability on or off road. Always wear seat belts when in a vehicle. Consult your owners manual for recommended tire sizes, safety instruction and warnings unique to your vehicle. It is your responsibility to check state and local laws restricting vehicle height to ensure that modifications to your vehicle are legal.